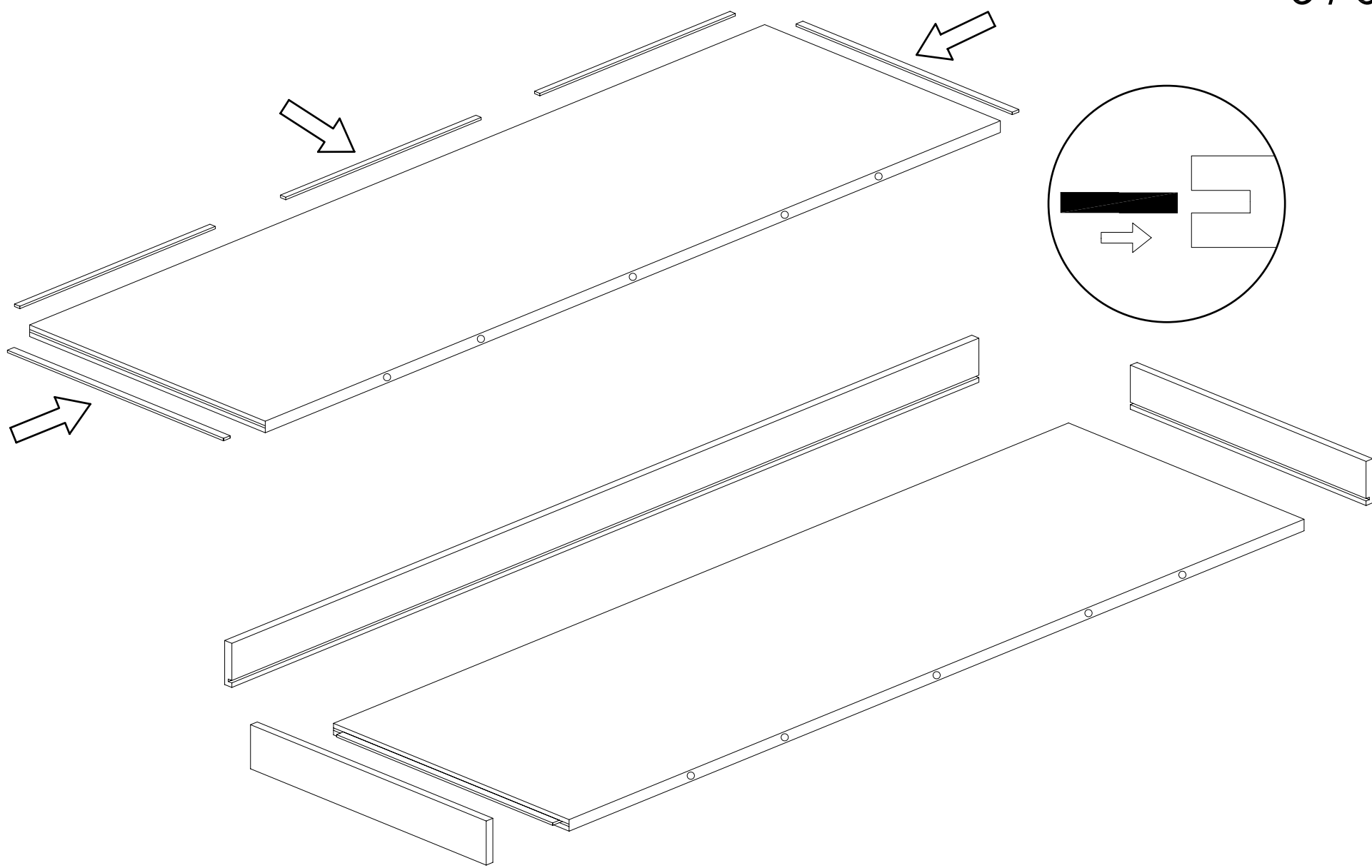


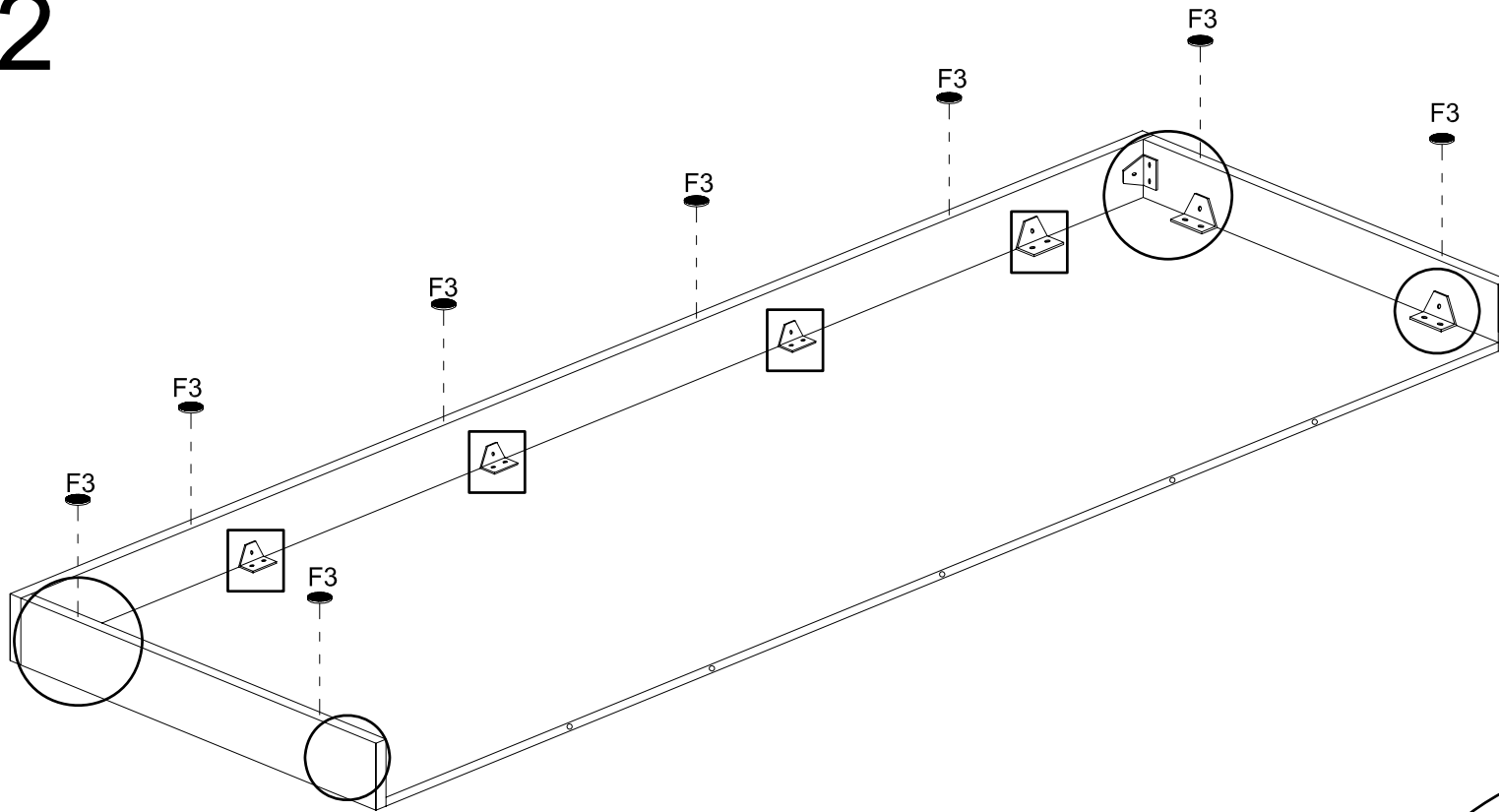
1

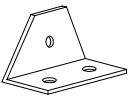
3 / 6

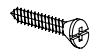



2

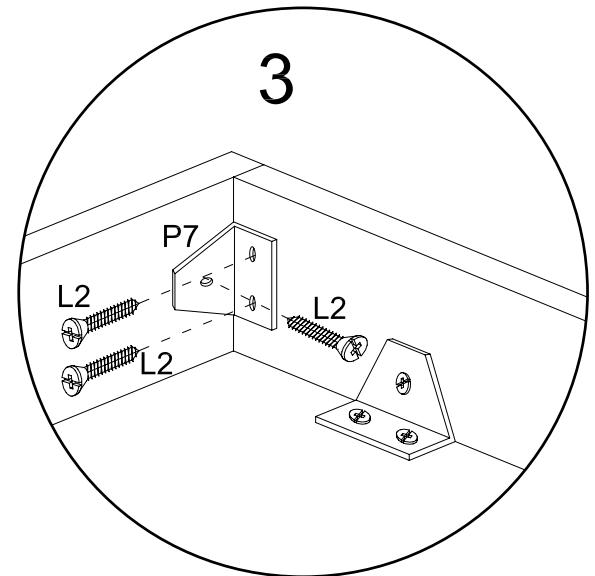
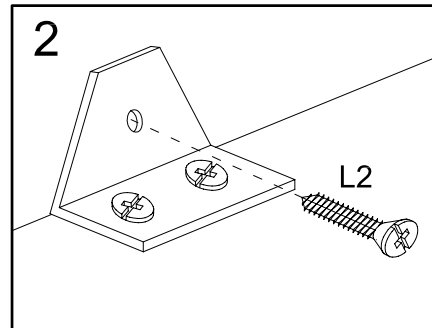
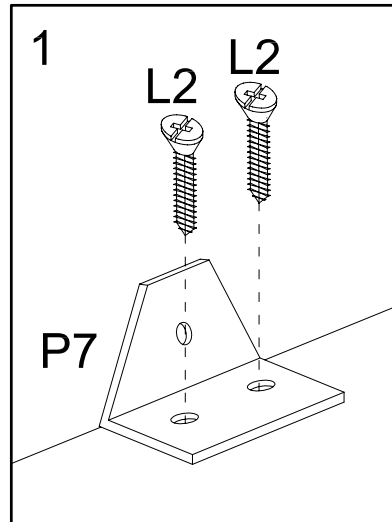
4 / 6



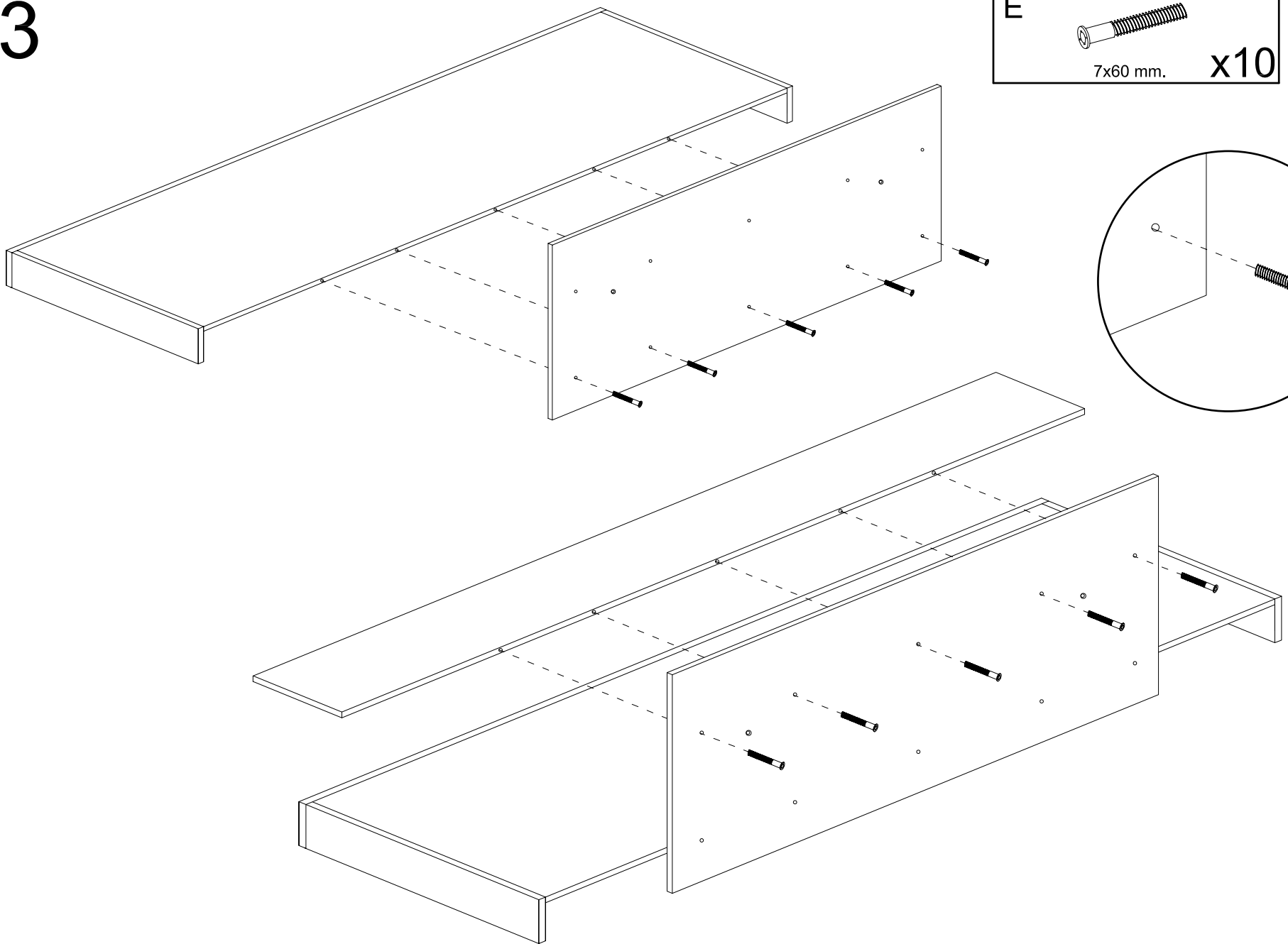
P7  **x10**

L2  **x30**
4x16 mm.

F3  **x8**

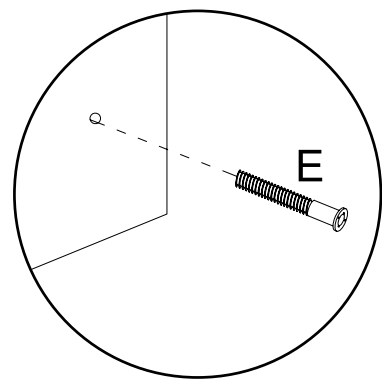


3

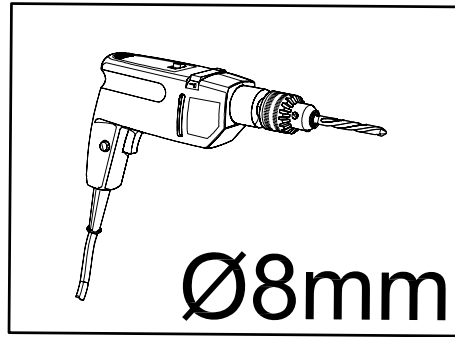


E
7x60 mm. x10

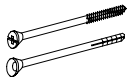

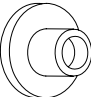
5 / 6



4



6 / 6

P40		x2
E1		x2
P16		x2

